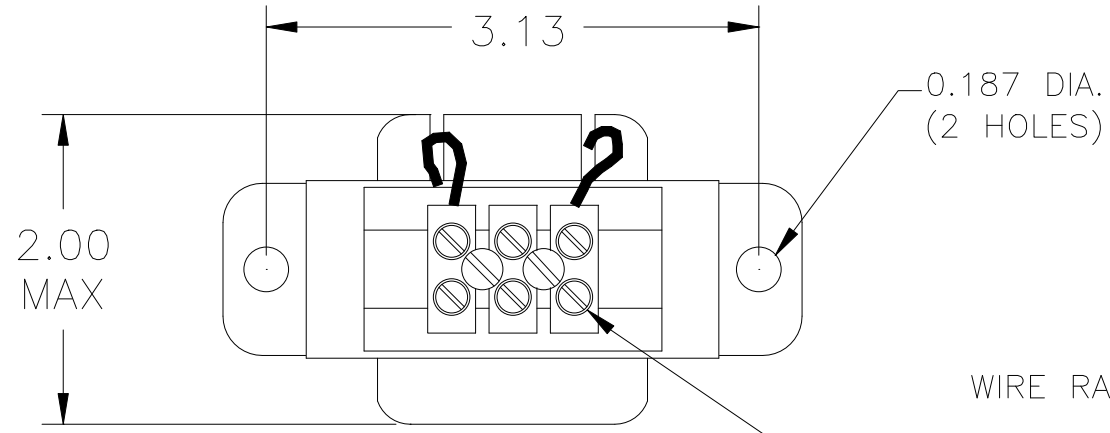


FILE: J:\CUSTDWG\DCA\DCA000402

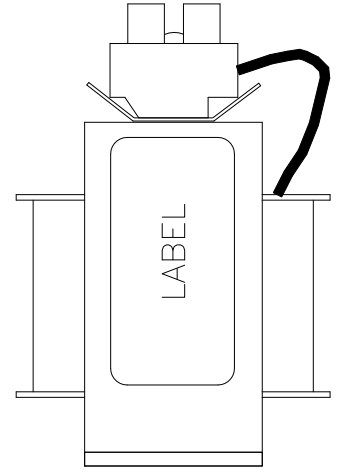
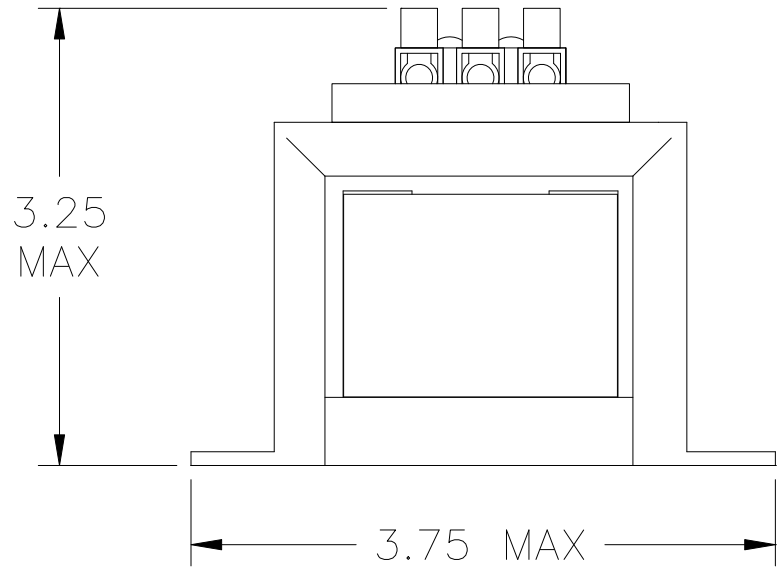
INDUCTANCE	LOSSES	WEIGHT
12 mH	5 Watts	2 Lbs

NO.	CHANGE DESCRIPTION	BY	DATE	C'K'D
-----	--------------------	----	------	-------



WIRE RANGE: 22-14 AWG

CAUTION-TERMINAL SCREW TIGHTENING TORQUE: 4.50 in-lb MAX.



UNLESS OTHERWISE SPECIFIED, DIMENSIONS ARE IN INCHES [mm] AND TOLERANCES ARE:

DECI. FRAC.
 ANGLES DRILLED HOLES

PART NAME:	DC CHOKE
DESCRIPTION:	OUTLINE DIMENSION
FINISH:	

MTE CORPORATION MENOMONEE FALLS, WISCONSIN			
DCA000402			REV. 00
SCALE	NTS	DATE	06/28/05
REF.	DR. BY	AGK	APP'D